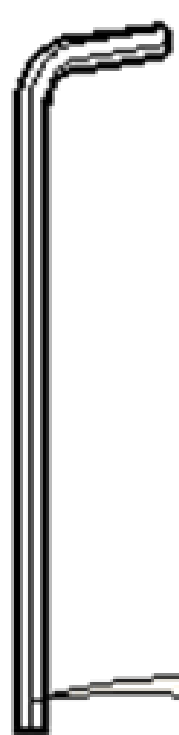
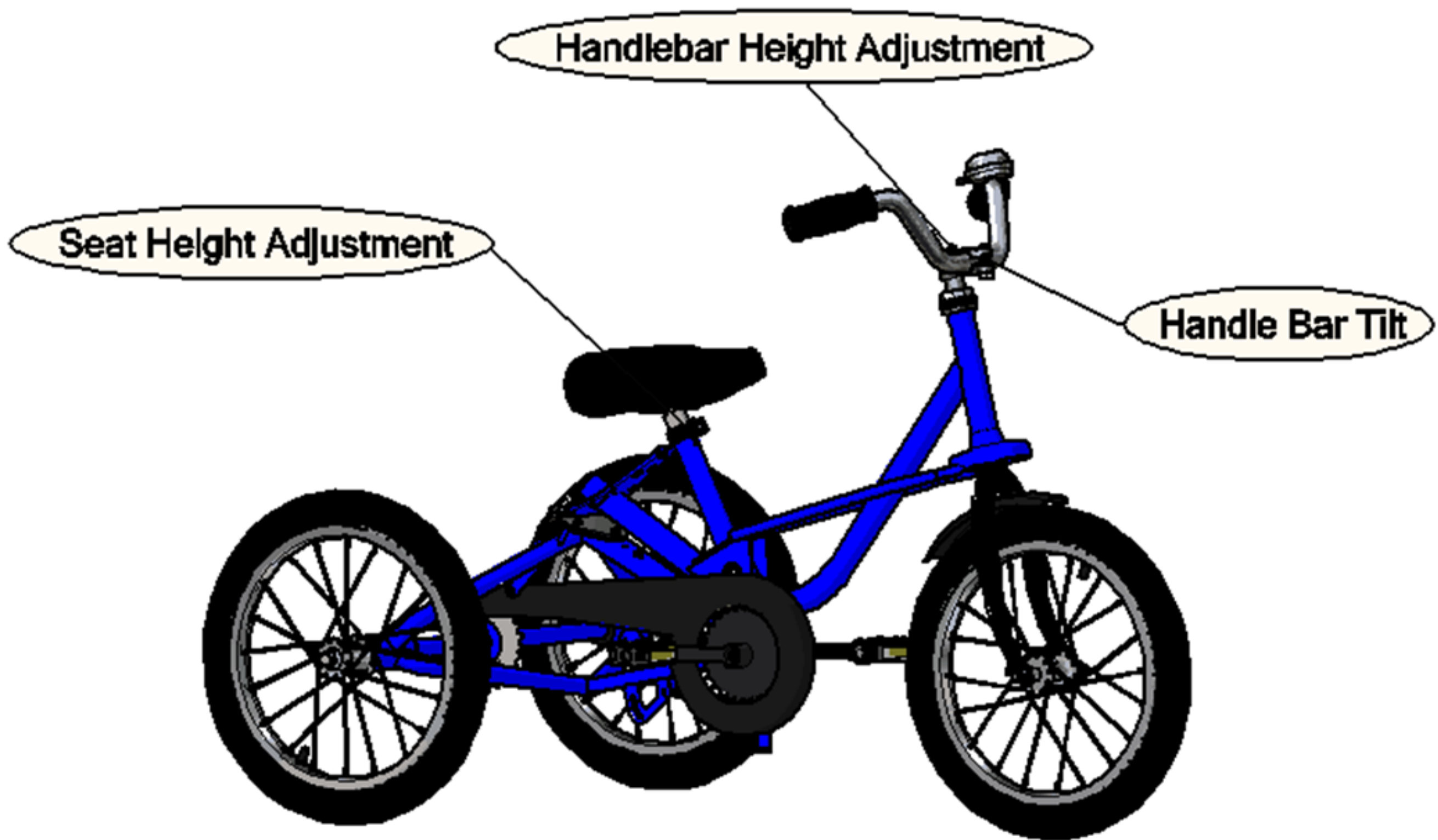


TRIKE
GROWTH
ADJUSTMENT
GUIDE

WWW.TOMCATUK.ORG



TRIKE ADJUSTMENT



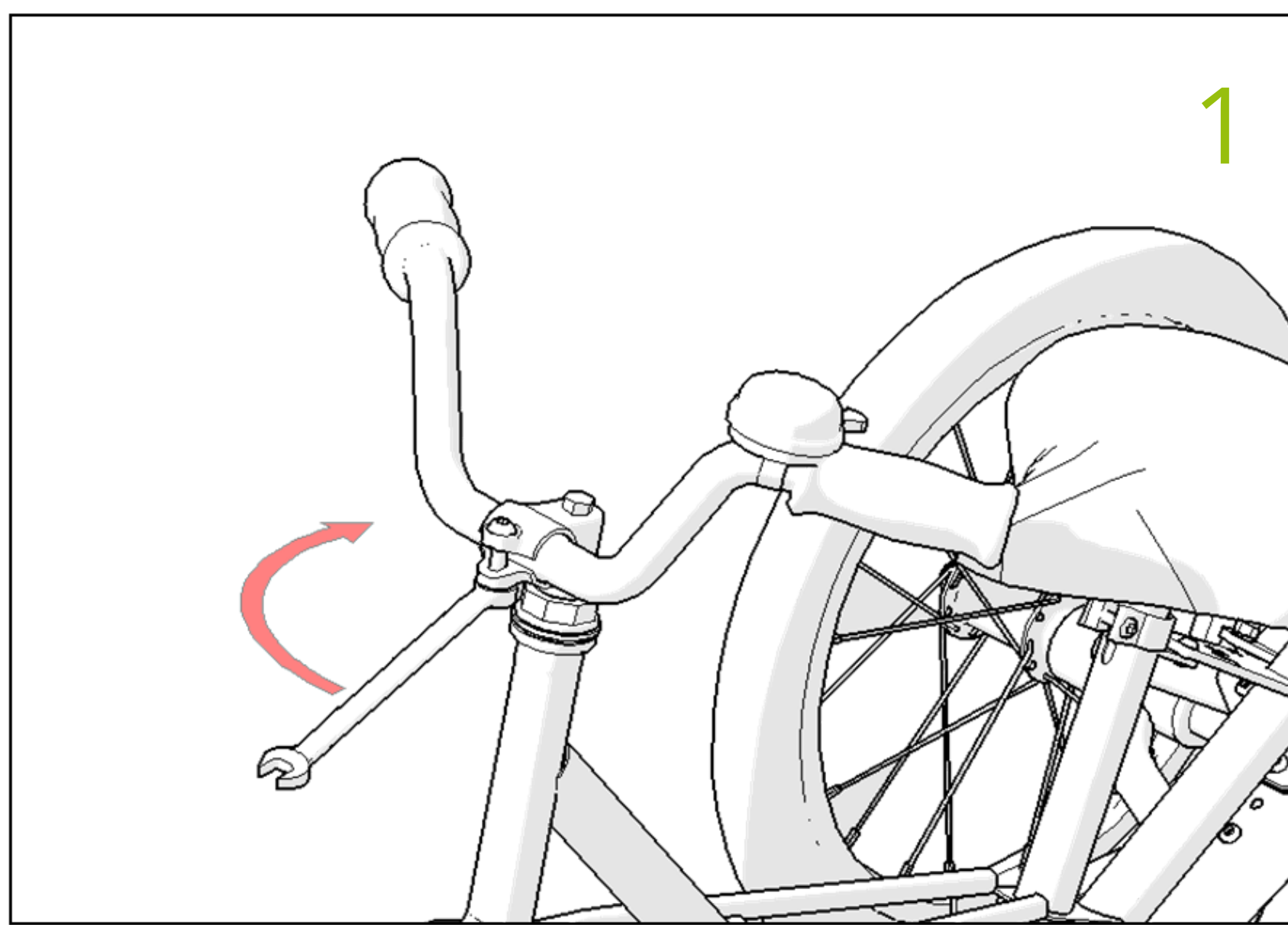
5mm Hex Key



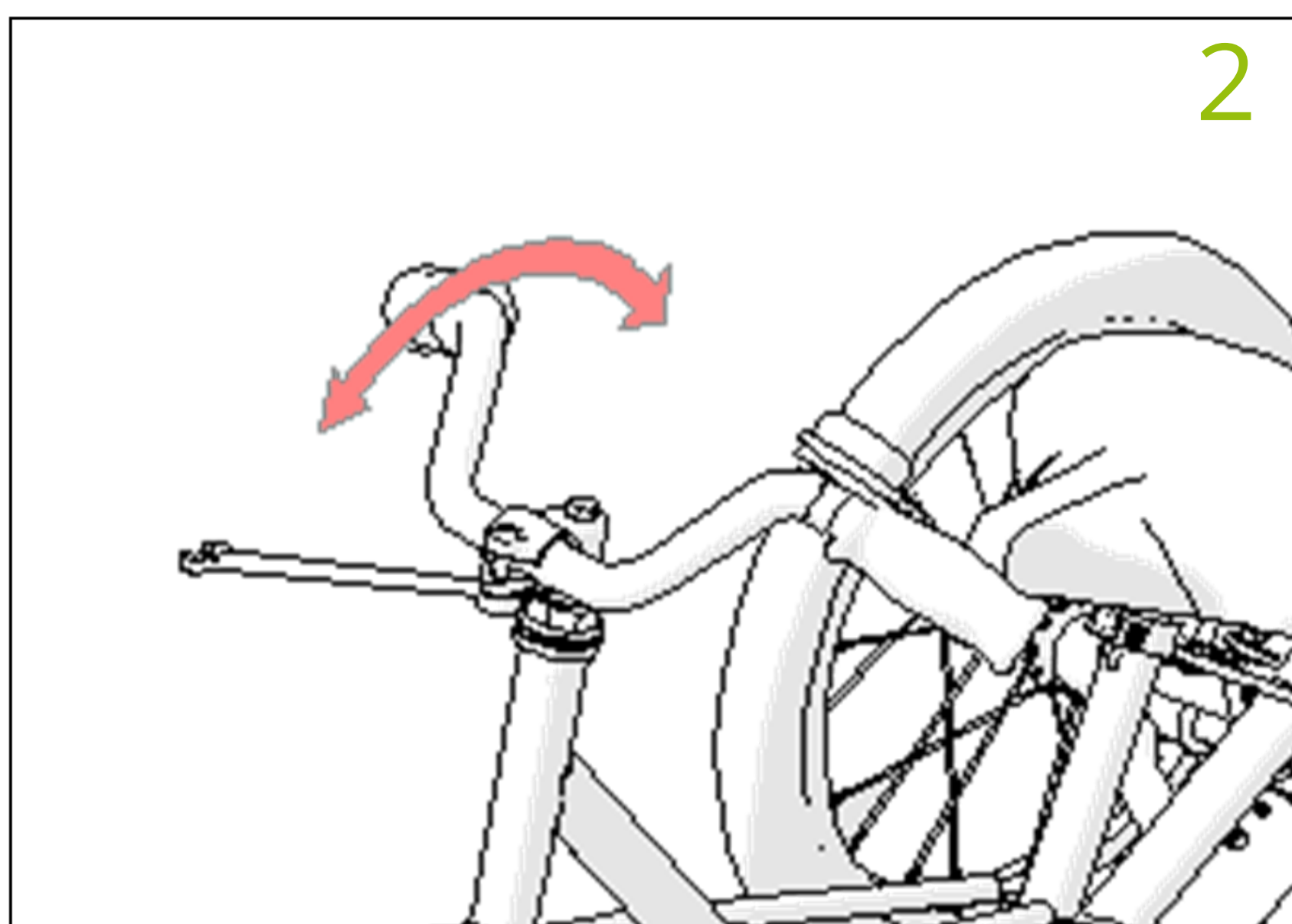
Spanner 13mm

TOOLS REQUIRED

HANDLEBAR TILT ADJUSTMENT

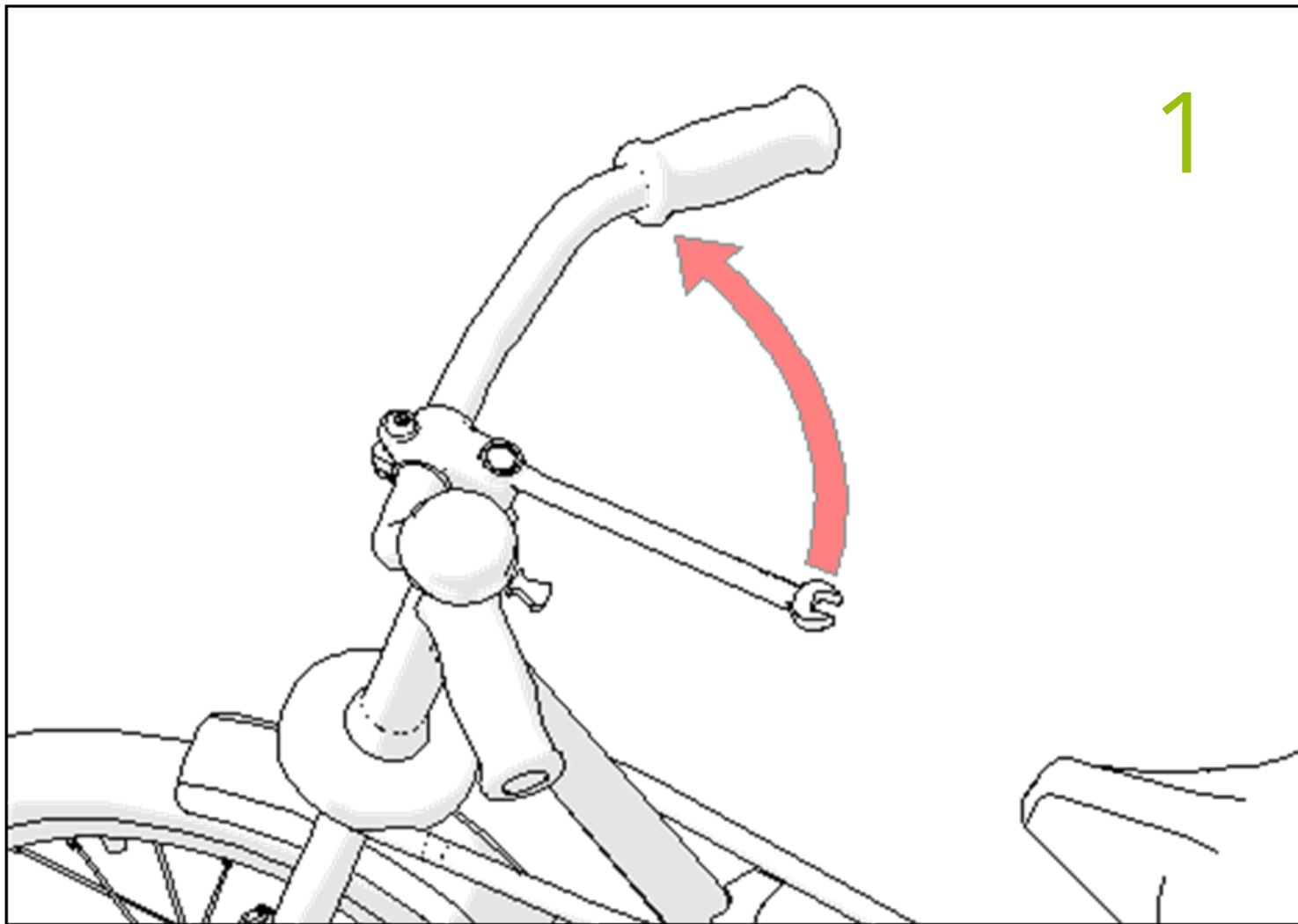


UNDO NUT UNDER STEM
WITH 13MM SPANNER.

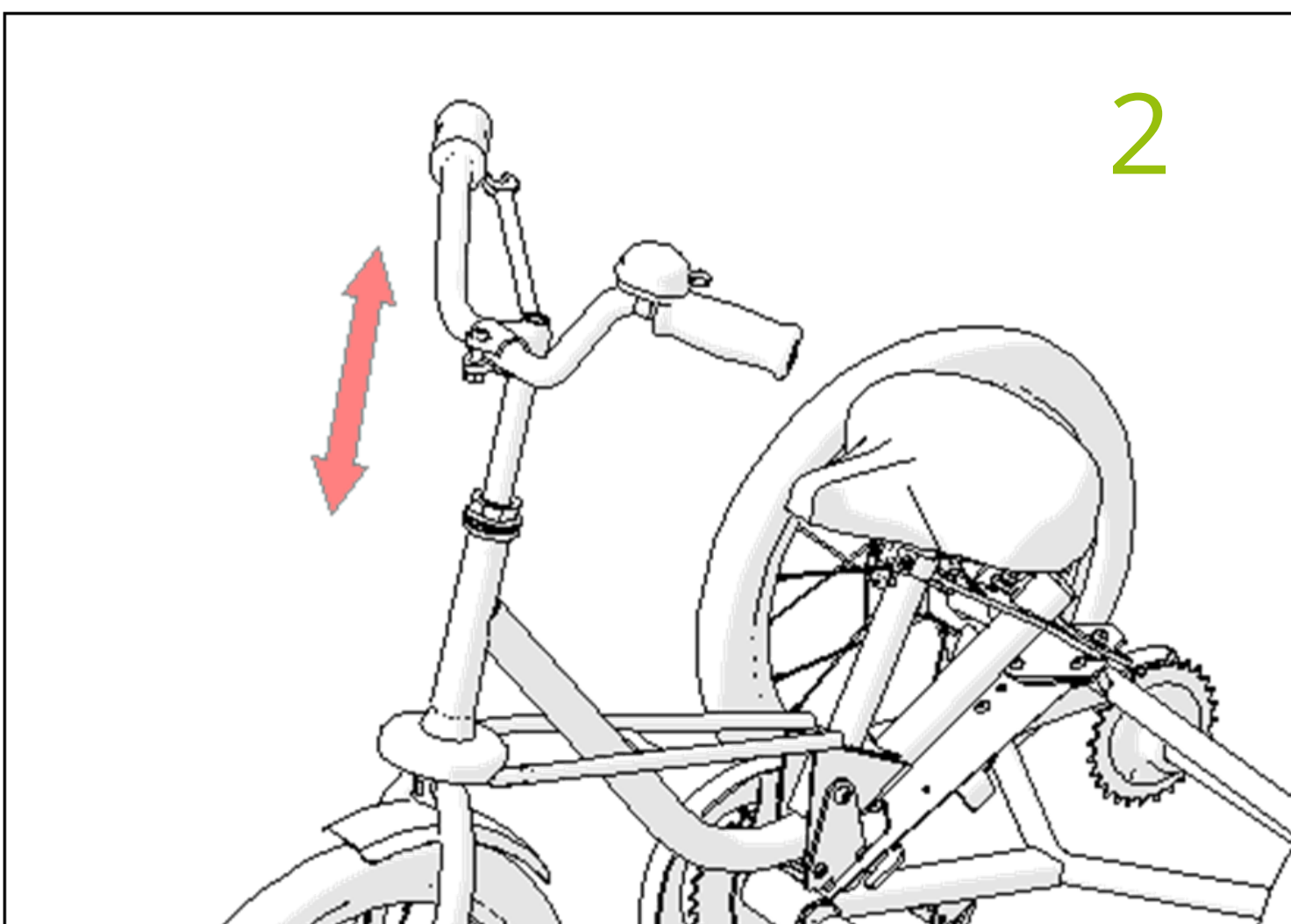


TILT HANDLEBARS FORWARD OR
BACK TO GAIN REQUIRED REACH,
THEN RETIGHTEN.

HANDLEBAR HEIGHT ADJUSTMENT



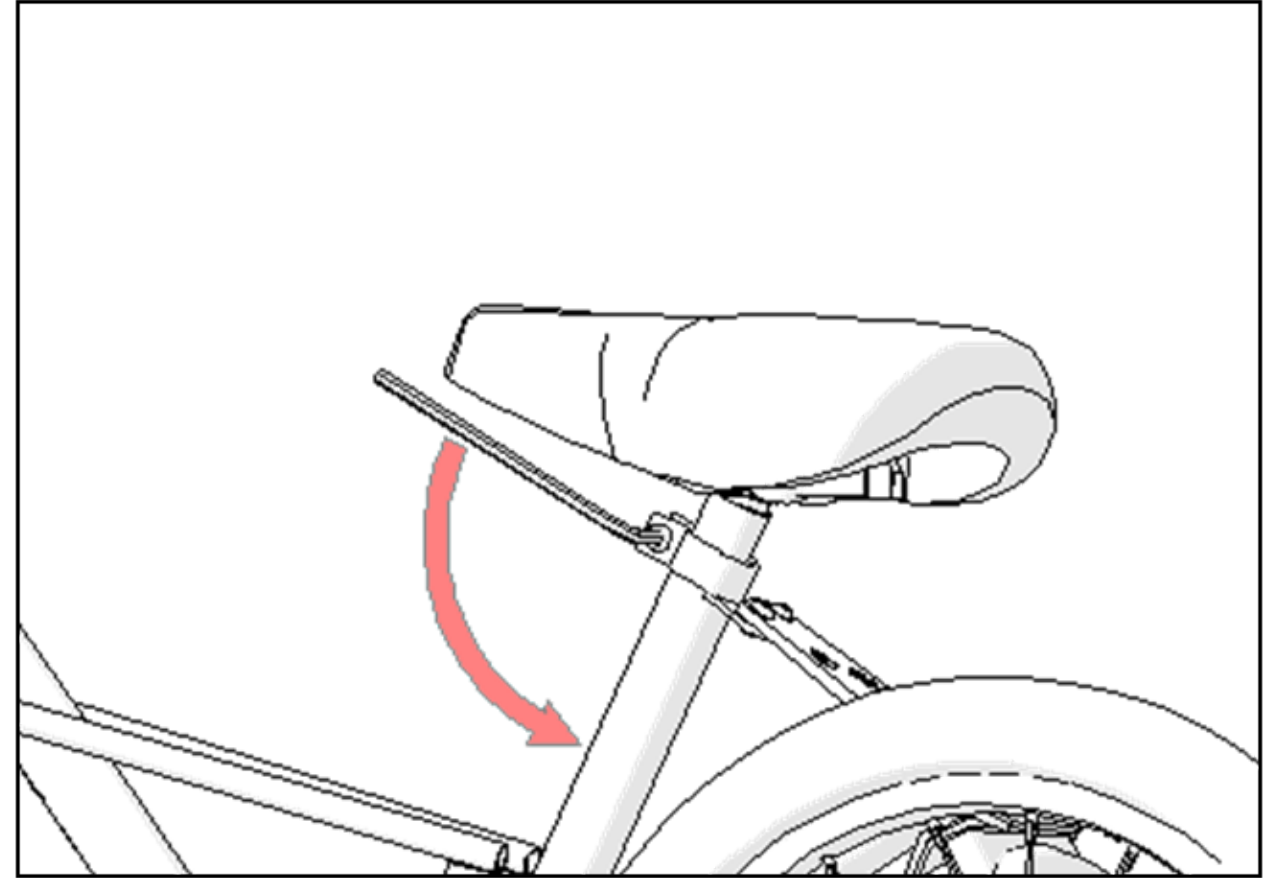
UNDO BOLT ON TOP OF STEM WITH 13MM SPANNER. YOU MAY NEED TO TAP THE TOP OF THE BOLT FOR IT TO RELEASE AFTER LOOSENING.



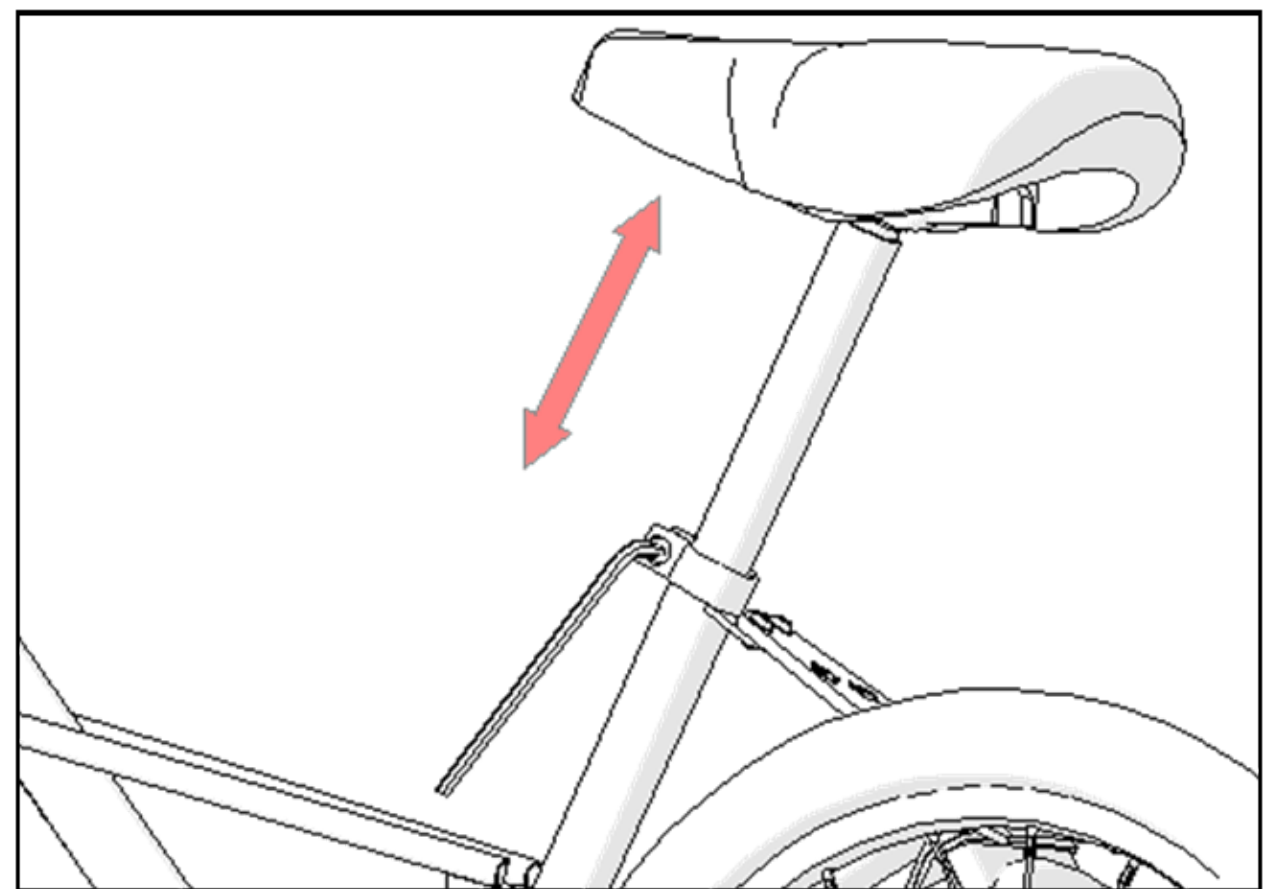
MOVE HANDLEBARS UP OR DOWN TO GAIN REQUIRED HEIGHT, MAKE SURE HANDLEBARS ARE IN LINE WITH FRONT WHEEL, THEN RETIGHTEN.

SEAT HEIGHT ADJUSTMENT

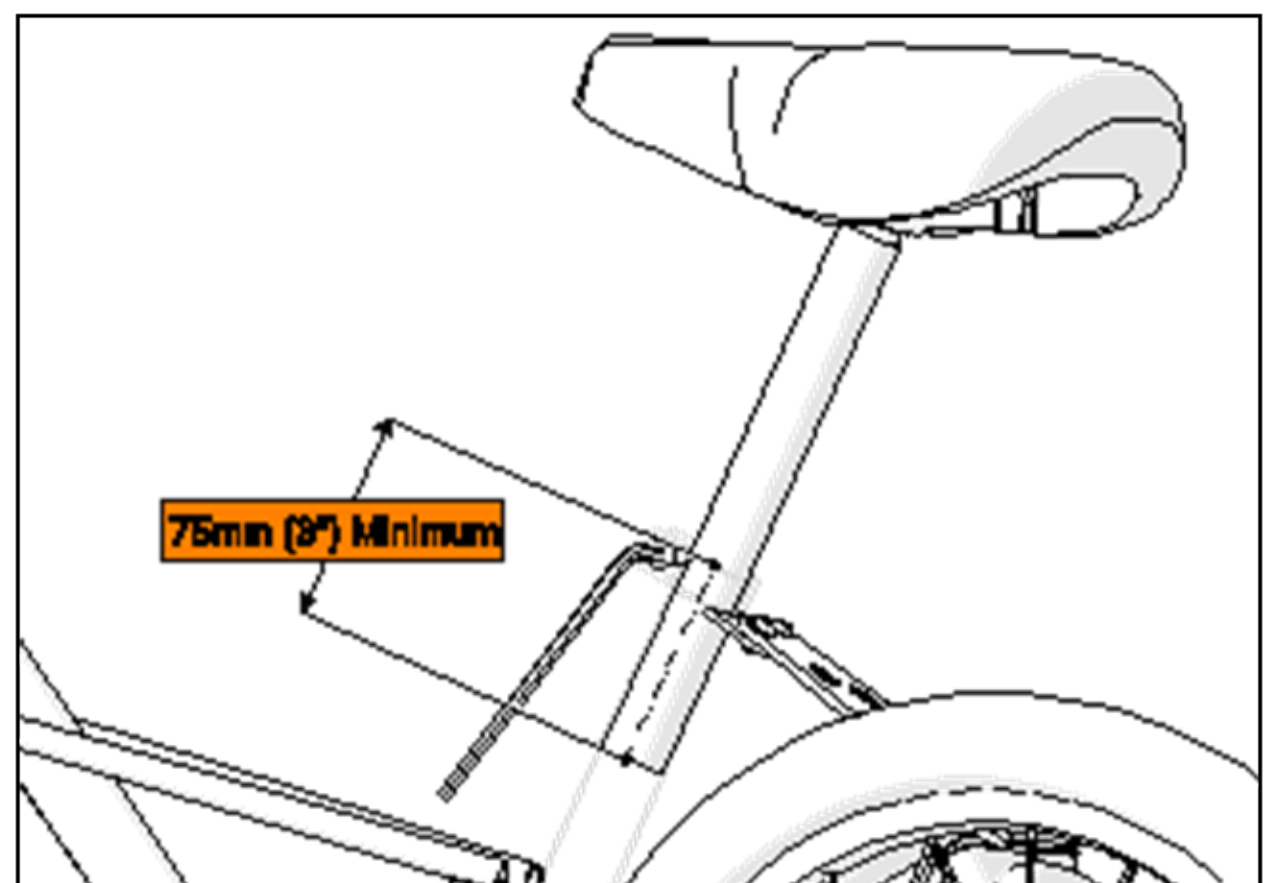
UNDO BOLT ON SEAT CLAMP WITH 5MM
HEX KEY.



MOVE SEAT UP OR DOWN TO GAIN
REQUIRED HEIGHT, THEN RETIGHTEN.



WARNING!
THERE MUST BE A MINIMUM OF 75MM (3")
OF STEM REMAINING IN THE SEAT POST.



AN EXTENDED SEAT POST CAN BE FITTED IF
EXTRA ADJUSTMENT IS REQUIRED.
PLEASE CONTACT FOR FURTHER INFO.