



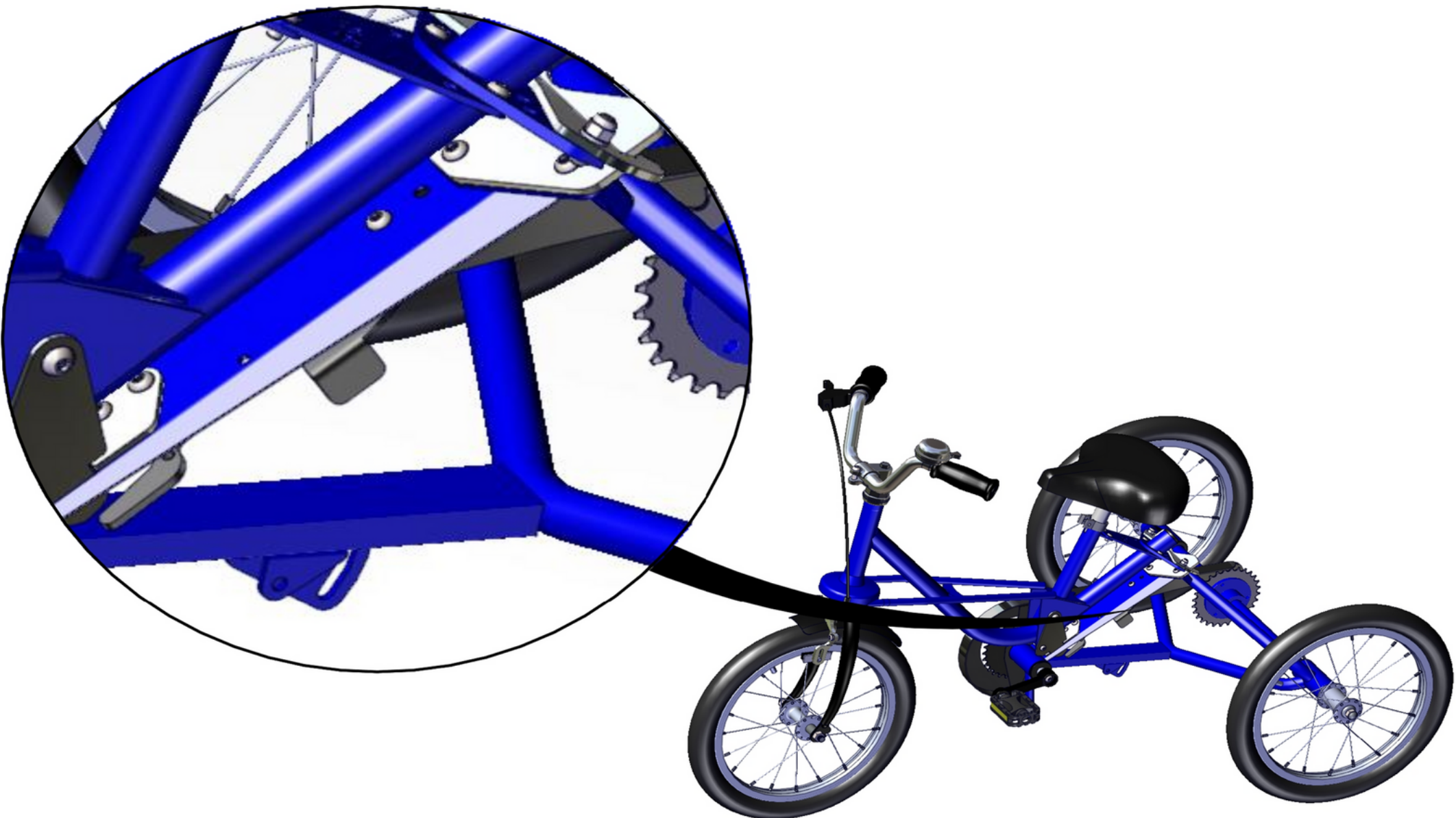
tomcat  
let's find a way together...

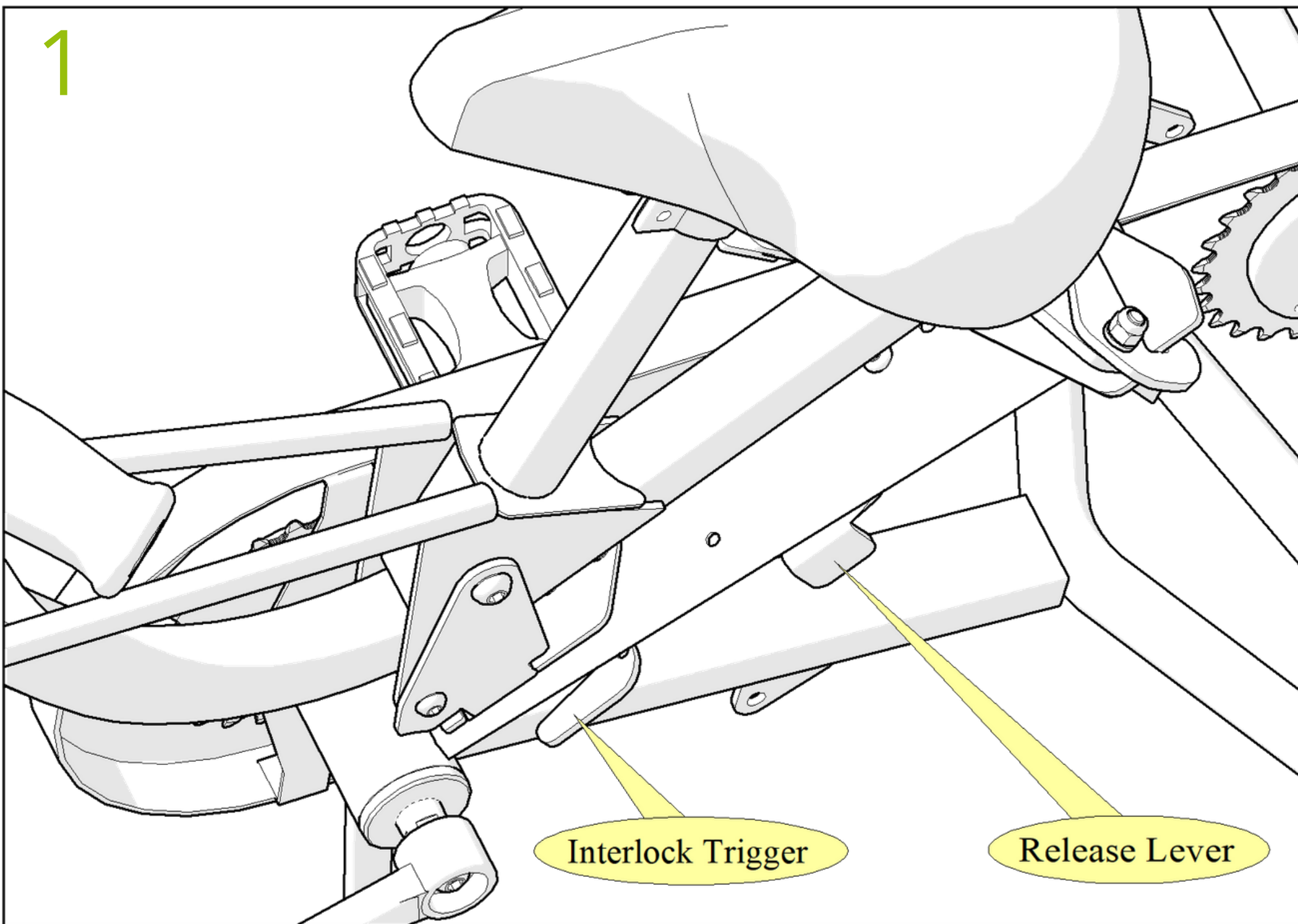
QUICK  
RELEASE  
OPERATION  
GUIDE

[WWW.TOMCATUK.ORG](http://WWW.TOMCATUK.ORG)



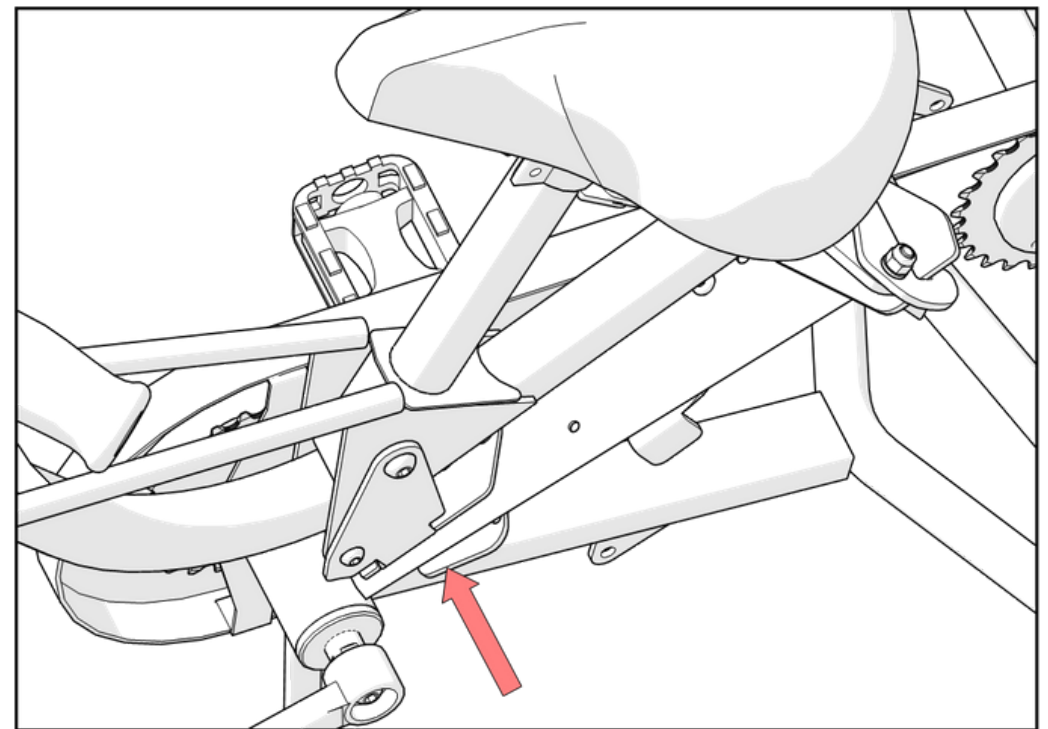
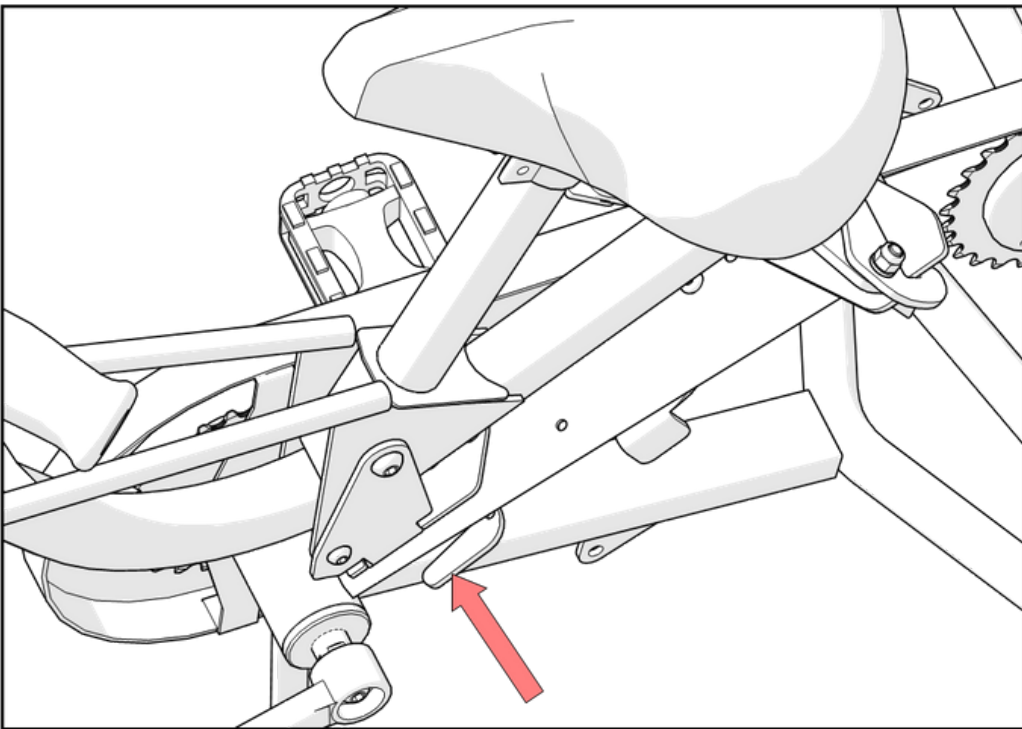
NO TOOLS  
REQUIRED



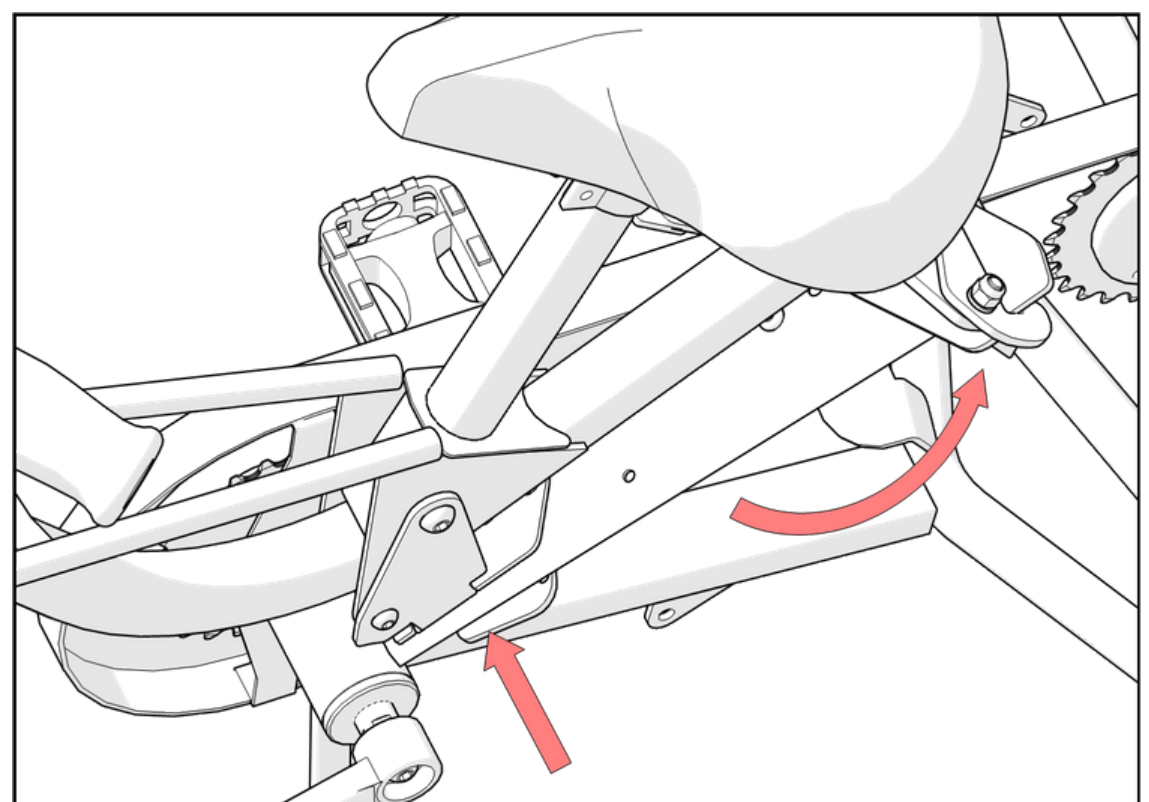


TO SPLIT THE TRIKE IN TWO THERE ARE TWO LEVERS TO OPERATE, INTERLOCK TRIGGER & RELEASE LEVER.

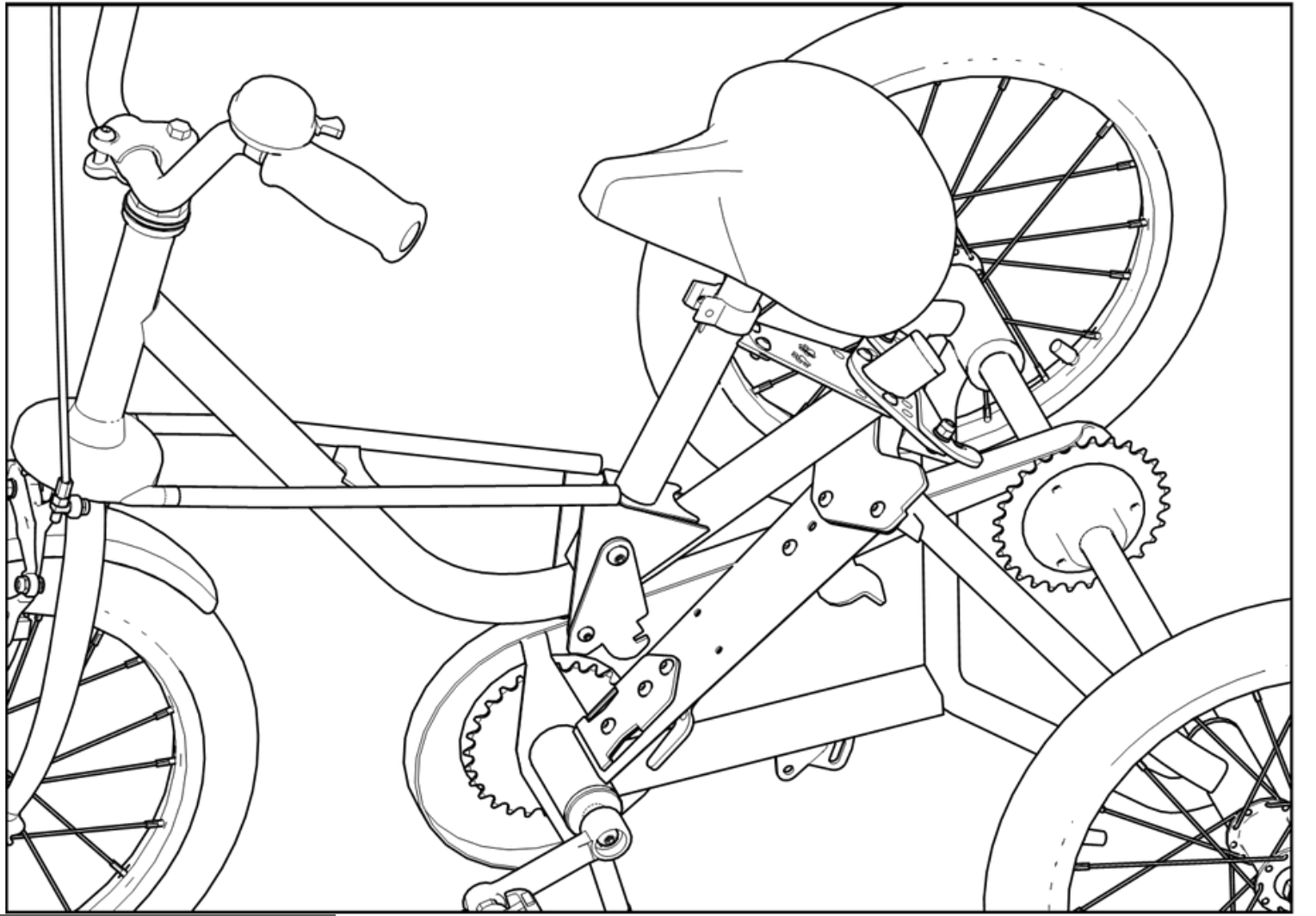
2



1. PUSH INTERLOCK TRIGGER TOWARDS TRIKE AND HOLD IN.  
2. PULL RELEASE LEVER AROUND TOWARD YOU.

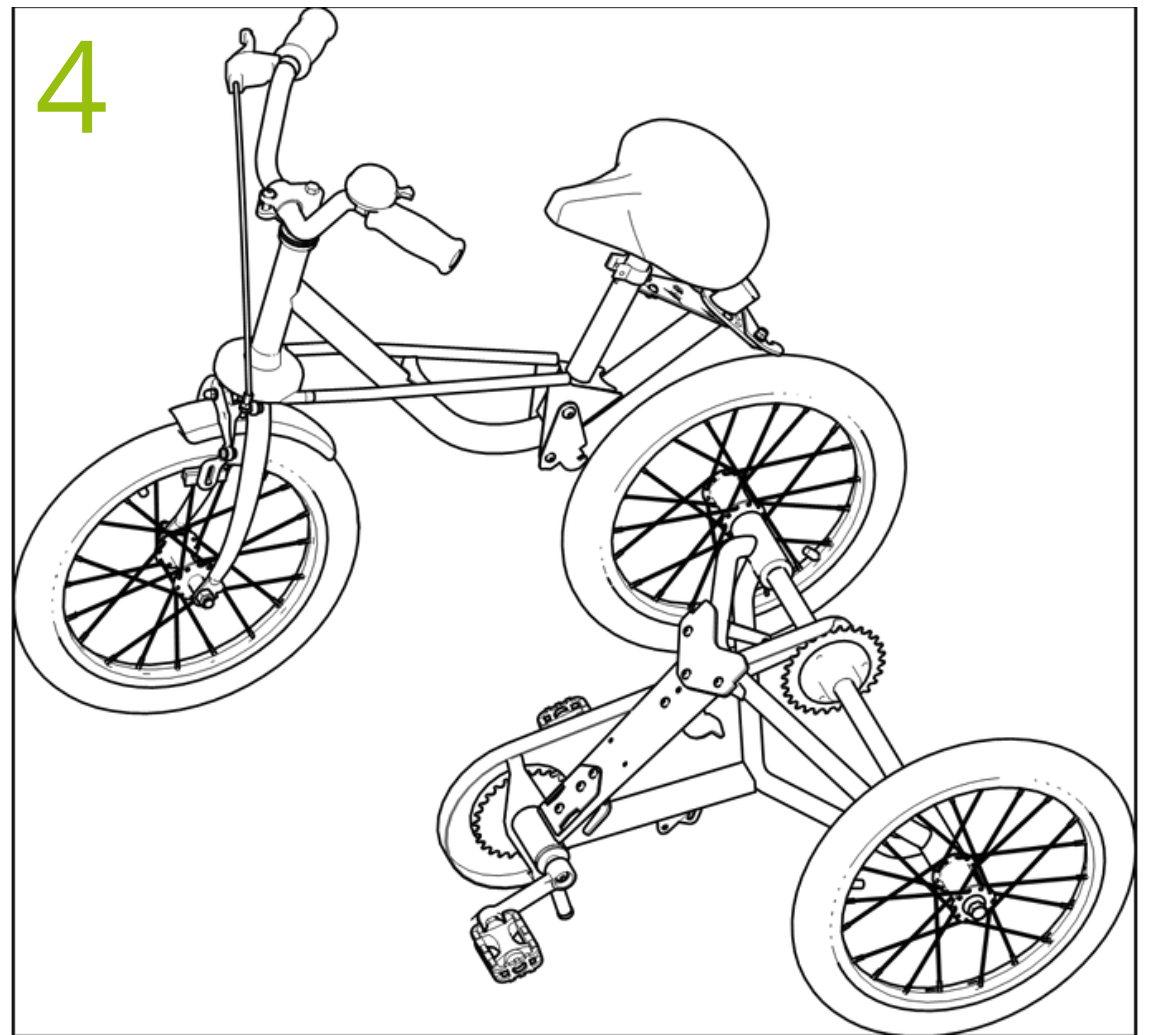


3



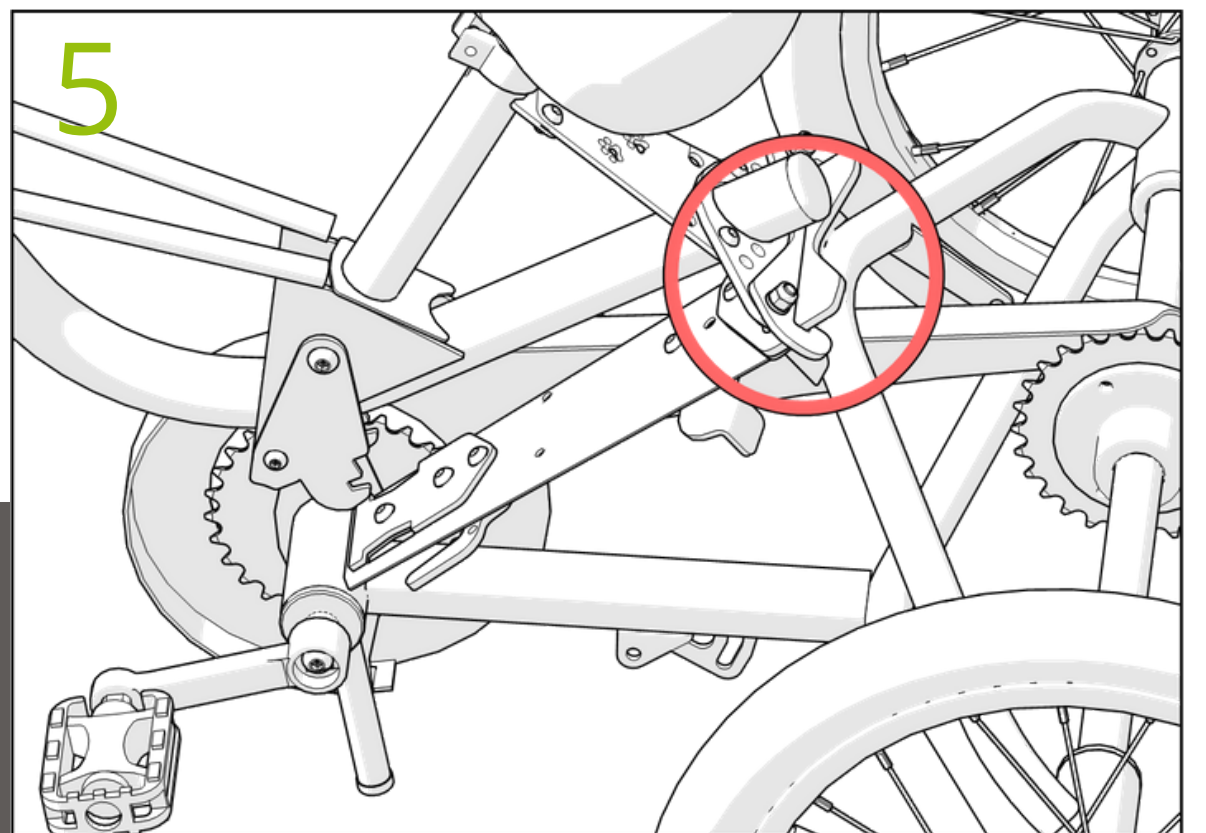
THE LOWER HALF OF THE TRIKE CAN NOW BE LOWERED TO THE GROUND.

4

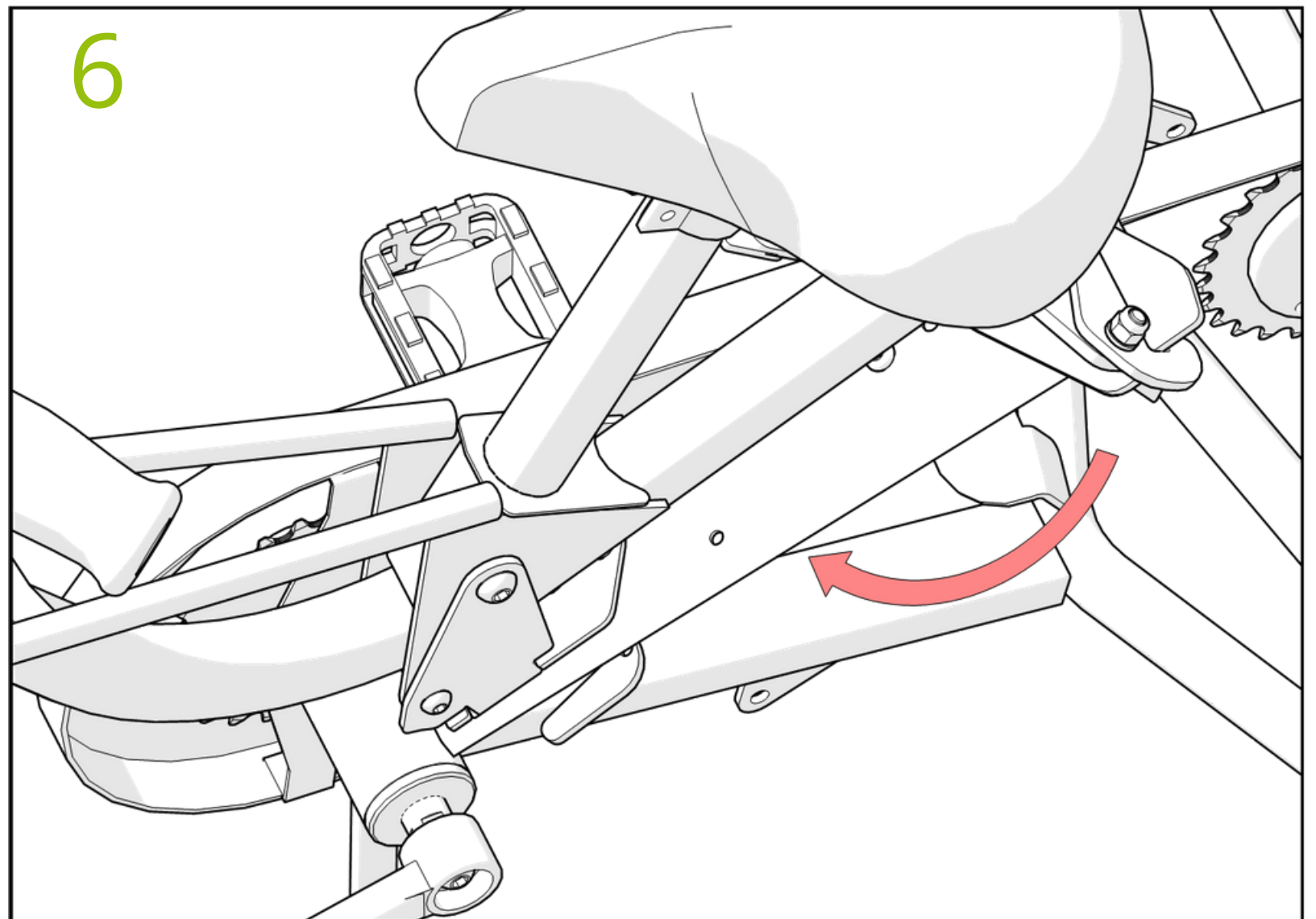


NOW JUST LIFT THE UPPER HALF OF THE TRIKE AWAY FROM THE LOWER. ALL DONE!

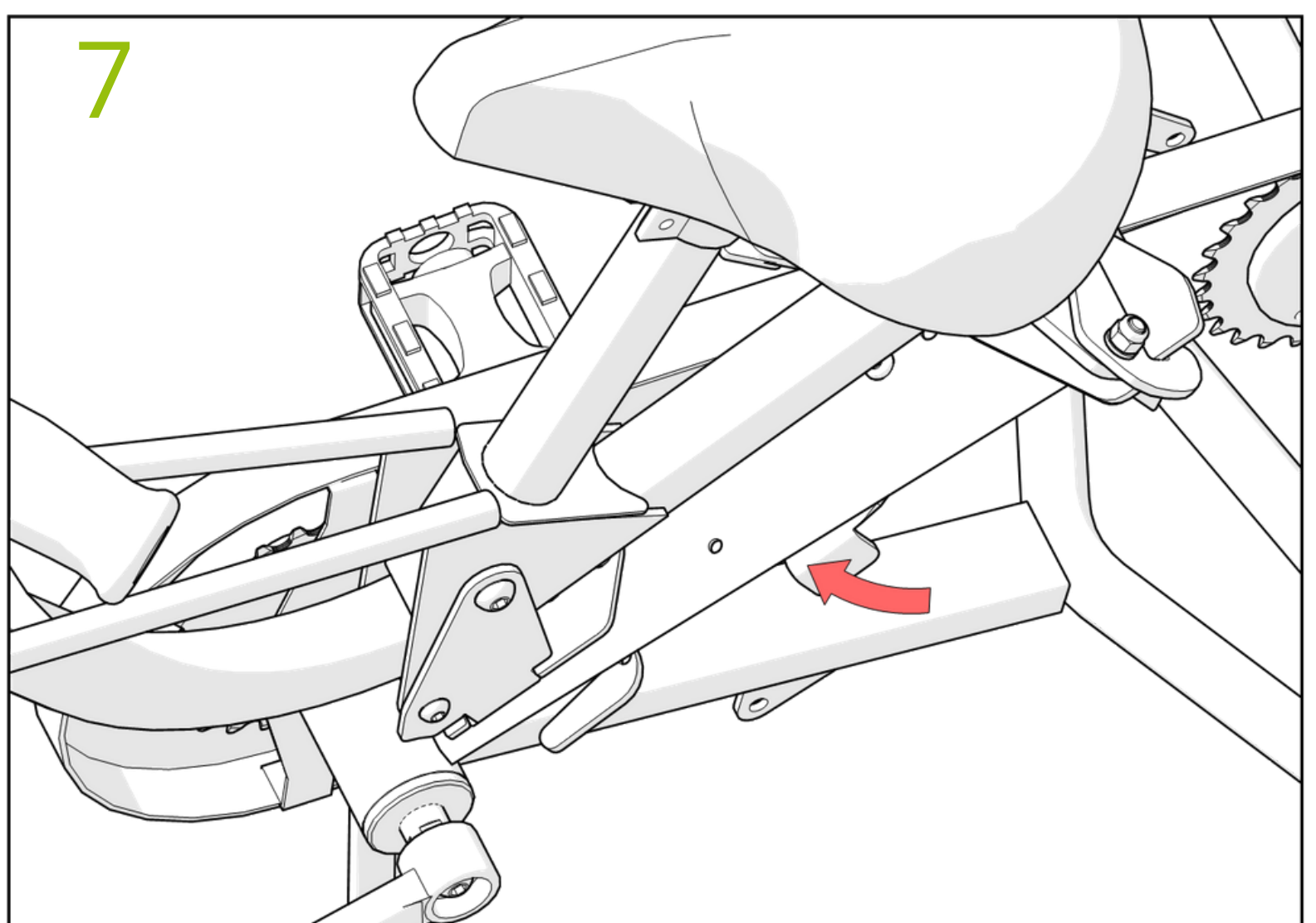
5



TO RE CONNECT SIMPLY REVERSE THE PROCESS. START BY HOOKING THE CLAW ON THE BACK OF THE UPPER PART OF THE TRIKE ONTO THE METAL PLATE ON THE LOWER PART OF THE TRIKE AND LOWER THE FRONT WHEEL TO THE GROUND. THE TRIKE WILL NOW STAND UP ON ITS OWN.



WITH RELEASE LEVER IN OPEN POSITION (REMEMBER YOU NEED TO PUSH AND HOLD THE INTERLOCK TRIGGER IN TO OPEN RELEASE LEVER) LIFT LOWER PART OF TRIKE UP INTO POSITION.



PUSH THE RELEASE LEVER BACK IN AND YOUR ALL DONE!  
THE TRIKE SHOULD NOW BE FIRMLY FIXED BACK TOGETHER.

8

NOW TEST SECURITY BY PULLING THE RELEASE LEVER OUT FIRMLY WITHOUT PUSHING THE INTERLOCK IN. IT SHOULD STOP HALF WAY. FURTHER MOVEMENT WILL BE PREVENTED BY THE INTERLOCK. IT SHOULD NOT BE POSSIBLE TO SEPARATE THE TWO FRAMES IF THE INTERLOCK IS FUNCTIONING CORRECTLY.