



Tomcat Chair, Instructions for Use.

**UK
CA**

C E

MD



Phone Number
+44 1452 616 900



Our Website
www.tomcatuk.org

marketing@tomcatuk.org



Thank you for choosing a Tomcat™ product. We wish you many years of fun, therapy and usefulness from it.

The Tomcat Chair is a Class 1 medical device, specifically designed to enable children and adults with balance, coordination, strength, or stature challenges, to independently sit at conventional tables, desks and workstations without assistance.

Each model is suitable for the following table heights:

TSCSC is suitable for worksurface heights of 59 to 65cm.
TSCMC is suitable for worksurface heights of 65 to 74cm.
TSCTC is suitable for worksurface heights of 74 to 90cm.

All models are ideally suited to independent use in schools, universities, the home, laboratory, or general workplace. An assistant may be required to set up the chair for the user before use.



To stay safe and get the best from your product, please read these instructions carefully.



Warning



Check the chair is positioned correctly and the seat swivels fully and without obstruction before use.



Ensure the castor base is locked and the chair unmovable before use.



The users must not get on, get off, sit, or ride on the chair with the castor wheels deployed.



Never “jump” from the chair.



Never stand on the footrest at any time.



Stow footrest and step in transport position (footrest folded, step retracted) when not in use.



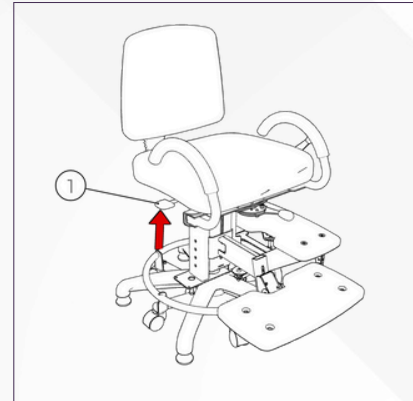
To prolong product life, do not roll over gravel, raised thresholds in excess of 1cm, or uneven surfaces such as concrete surfaces or patio slabs.

Adjustments



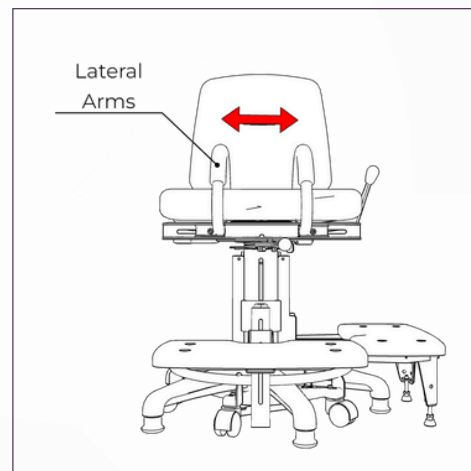
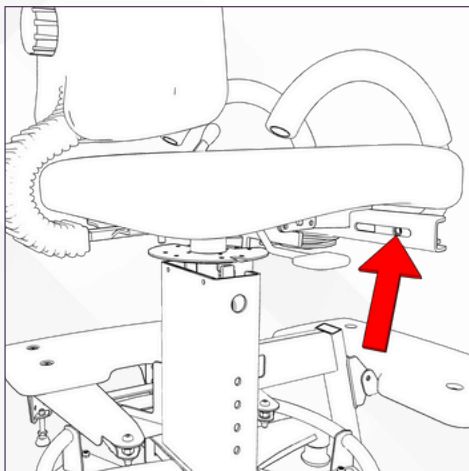
RAISE OR LOWER THE SEAT:

Squeeze the lever (1) below the seat. Raise or lower the seat by lifting the chair arms or pressing down on the seat.



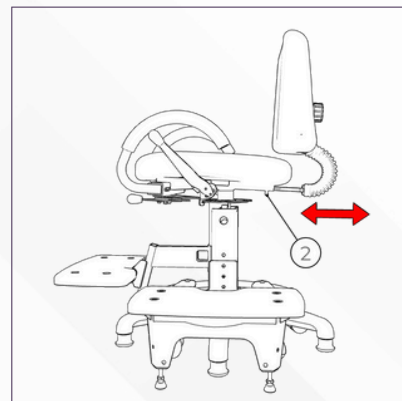
ADJUST ARMS GAP:

Loosen Arm screws adjust gap and retighten. Arms can be swapped to increase or reduce the range.



BACKREST DEPTH:

Loosen Bracket Bolt (2) - Move bracket in or out along the slot - retighten bolt to secure. Note: four bracket depths are available.



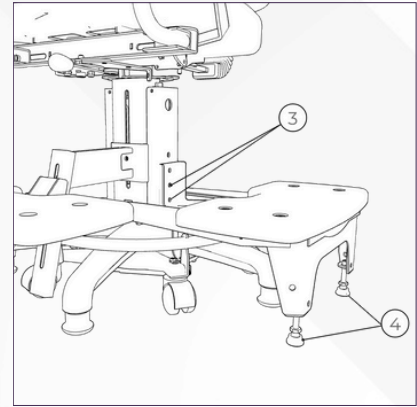
Adjustments



STEP HEIGHT:

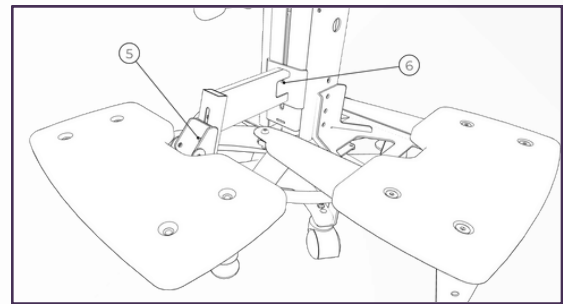
Remove securing bolts (3), raise or lower as required, replace and tighten bolts. **Warning! HEAVY COMPONENT!**

Slide step fully out and adjust step legs (4) so that they are 2-3mm off the ground.



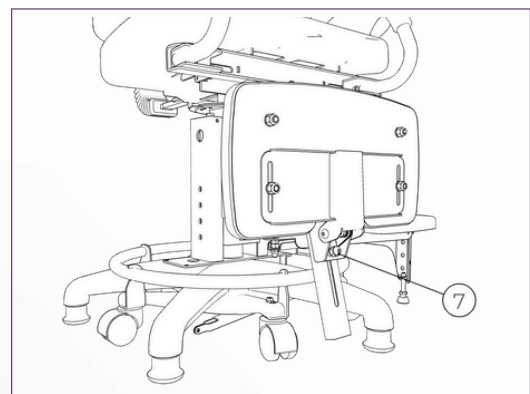
FOOTREST HEIGHT:

The Footrest has two adjustment points for height (5 & 6) Slacken adjuster screw, slide to required height and retighten screw



FOOTREST SLOPE ANGLE:

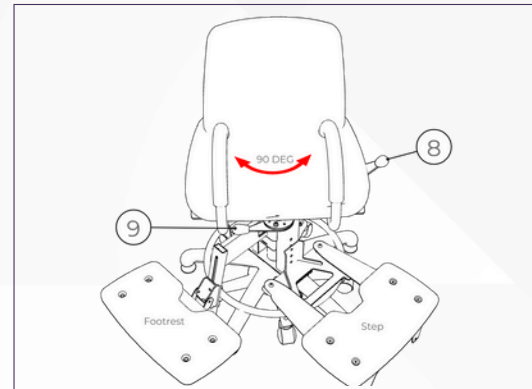
Slacken adjuster screw locknut (7). Turn adjuster screw in or out to adjust slope angle.



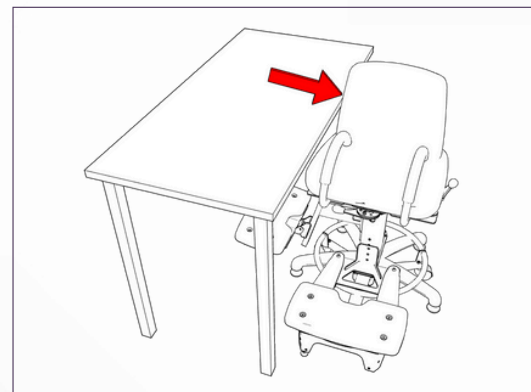
SETTING IN POSITION AFTER ADJUSTMENTS.



- Set the seat height to suit the worksurface in use (usually 17 to 20cm below the workstation height for most users)
- Deploy the Step and Footrest.
- Operate the lever on the side of the chair (8) to swivel the seat to the on/off (step) position, then operate the lever beneath the seat front (9) to deploy the castor wheel and make the chair mobile.



- Move the chair to the working position (usually correct when the side of the backrest abuts the desk), then lock the castor base so the chair is unmovable.
- Swivel the seat between the step and footrest positions to check for obstructions. Re-adjust as necessary.
- Supervise the user during first use. Adjust for posture as required.



Warranty



Scan QR code to view full version of warranty.



Scan QR code to view the video manual



For further information on how to set up and use your chair safely please visit:
www.tomcatuk.org



Tomcat SNI Ltd
Unit 13/7 The Gloucester Business Park
Hucclecote, Gloucester
GL3 4AA, UK
Tel +44(0)1452 616900
Email info@tomcatuk.org
Web www.tomcatuk.org



Advena Limited.
Tower Business Centre, 2nd Flr.,
Tower Street,
Swatar, BKR 4013
Malta.
Tel +356 2546 6689
Email info@advena.mt
Web www.advena.mt