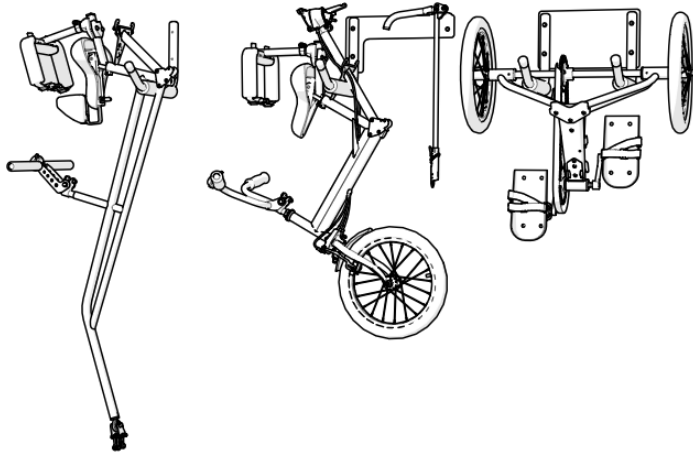


# Trike Tidy Assembly



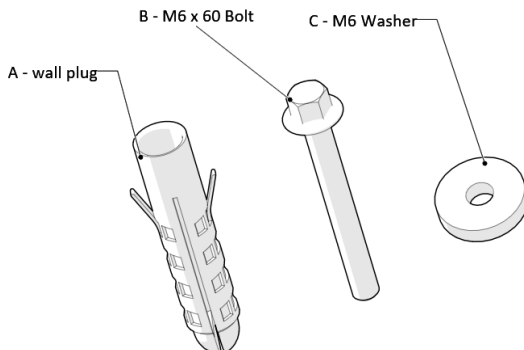
## Warning!

- Trike Tidy **MUST** be fixed to a suitable solid wall, such as solid concrete or solid brick.

## Tools Required to fit Trike Tidy

- 10mm Spanner
- Electric Drill
- 10mm Masonry Drill Bit

## Included Fixings



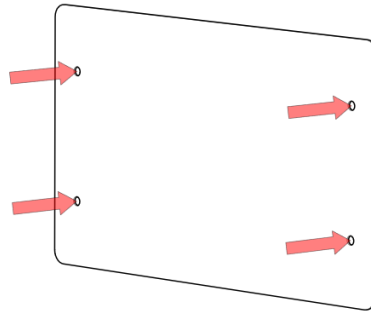
## Quantities

### Trike (Trailer Trike)

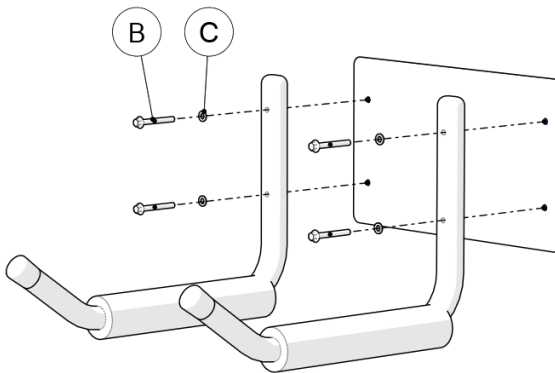
- A x 7 (9)
- B x 7 (9)
- C x 7 (9)

# Lower Frame Tidy

- Hold backing plate up to wall and mark hole positions on wall.
- Drill holes in wall and fit wall plugs (A) in to holes.



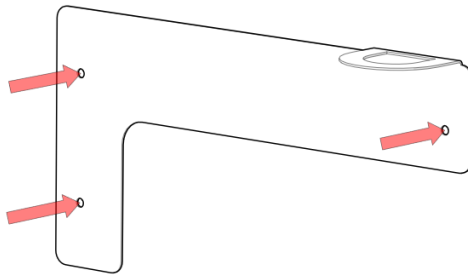
- Fit hooks and backing plate as shown.



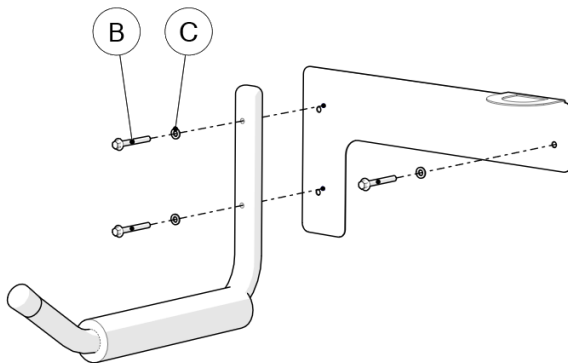
# Upper Frame & Carer Arm Tidy



- Hold backing plate up to wall and mark hole positions on wall.
- Drill holes in wall and fit wall plugs (A) in to holes.

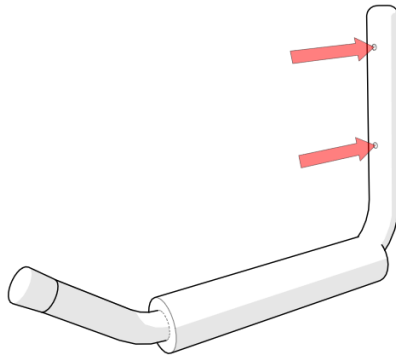


- Fit hooks and backing plate as shown.



# Trailer Bar Tidy

- Hold Hook up to wall and mark hole positions on wall.
- Drill holes in wall and fit wall plugs (A) in to holes.



- Fit hook as shown.

